

LACASSE

harmoniä

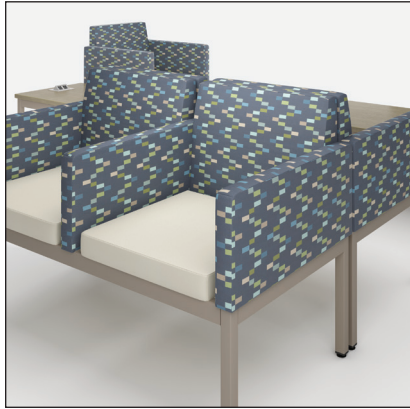
Healthcare Furniture
Solutions

Lacasse presents Harmoniä, a complete offering of evolutive furniture solutions designed and manufactured with exceptional care to cover the full needs of healthcare establishments, from hospitals to long-term care facilities and clinics of all types. Waiting areas, patient rooms, nursing stations, whatever the application, our modular approach allows for fast and easy configuration and reconfiguration.

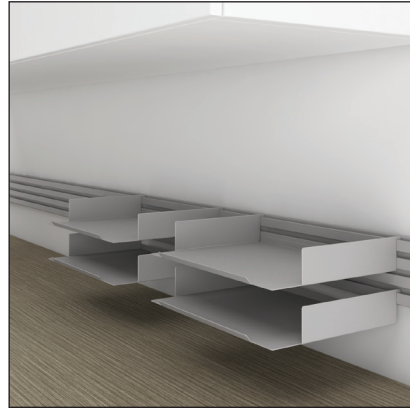
This elegant waiting area clearly illustrates the aesthetics and impressive product depth of our healthcare furniture portfolio, with its contemporary reception desk, tables and seating solutions.



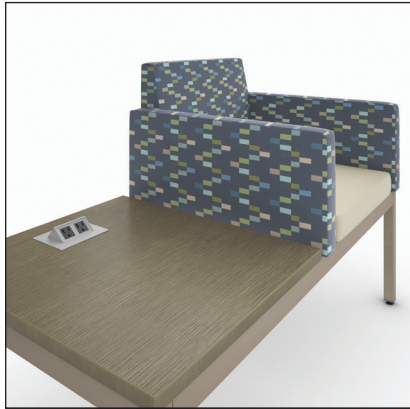
EXPERIENCE THE CARE



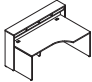


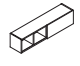



Arold Terra floating seat design allows for easy cleaning.



Harmoniä offers full compatibility with all Lacasse accessories.



Seating and table combo with cable management and electrical modules.

	W x D x H (in)	W x D x H (mm)	Code	All Laminate (\$)	HPL Surfaces (\$)
Left extended corner reception desk – 43"H		<i>Transaction countertop with pigeonholes. Full-height modesty panel. Can accommodate 1 or 2 pedestals. 2 grommets on the work surface and 2 wiring accesses allowing the passage of electrical cables for a lighting unit on the front of the modesty panel. Lighting sold separately.</i>			
	97 x 48 x 43 ³ / ₁₆	2425 x 1200 x 1100	M5NNS-GC974843	2,575	–
Rectangular table		<i>Full-height modesty panel. 1 grommet.</i>			
	72 x 24 x 29 ¹ / ₂	1800 x 600 x 744	M5NNS-DT2472B	770	–
Lateral file credenza		<i>4 file drawers with suspension bars. Locks. Optional counterweight to meet BIFMA standards, please refer to the Lacasse price book.</i>			
	72 x 24 x 29 ¹ / ₂	1800 x 600 x 744	M5NAS-LF2472LF	1,955	–
Wall-mounted hutch with sliding door – 16"H		<i>The sliding door covers one half of the hutch. Hanger bar included for wall-mount installation. 1 tone only.</i>			
	72 x 16 x 16	1800 x 400 x 406	QNNS-EM721616C	960	–
Modular pedestal		<i>2 box drawers, 1 file drawer with suspension bar. Pencil tray. Lock. Must be installed under a work surface. 1 tone only.</i>			
	15 x 18 x 28	388 x 466 x 719	MNNAS-P1518UFL	730	–
Square top		<i>1 1/2" thick.</i>			
	36 x 36 x 1 1/2	900 x 900 x 38	T5NS-SQ36	350	–
Metal disc base		<i>The top plate allows the mounting of a LGC-PC.</i>			
	22 x 4 x 28	559 x 101 x 713	TNNS-DC22	–	505